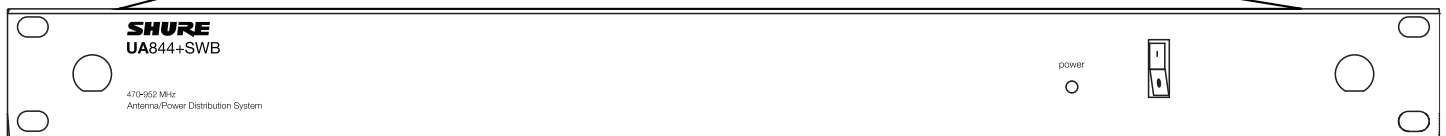


SHURE®

LEGENDARY
PERFORMANCE™

Wireless Accessory

UA844 USER GUIDE



Antenna Distribution System

Distributeur d'antenne

Antennensplittersystem

Sistema de distribución de antenas

Sistema di distribuzione di antenna

Sistema de Distribuição de Antena

Антенные распределительные системы

Antenneverdeelsysteem

アンテナ分配システム

안테나 분배 시스템

天线分配系统

天線分配系統

Sistem Antena Distribusi



© 2017 Shure Incorporated
27A30414 (Rev. 2)

Printed in U.S.A



IMPORTANT SAFETY INSTRUCTIONS

1. READ these instructions.
2. KEEP these instructions.
3. HEED all warnings.
4. FOLLOW all instructions.
5. DO NOT use this apparatus near water.
6. CLEAN ONLY with dry cloth.
7. DO NOT block any ventilation openings. Allow sufficient distances for adequate ventilation and install in accordance with the manufacturer's instructions.
8. DO NOT install near any heat sources such as open flames, radiators, heat registers, stoves, or other apparatus (including amplifiers) that produce heat. Do not place any open flame sources on the product.
9. DO NOT defeat the safety purpose of the polarized or grounding type plug. A polarized plug has two blades with one wider than the other. A grounding type plug has two blades and a third grounding prong. The wider blade or the third prong are provided for your safety. If the provided plug does not fit into your outlet, consult an electrician for replacement of the obsolete outlet.
10. PROTECT the power cord from being walked on or pinched, particularly at plugs, convenience receptacles, and the point where they exit from the apparatus.
11. ONLY USE attachments/accessories specified by the manufacturer.
12. USE only with a cart, stand, tripod, bracket, or table specified by the manufacturer, or sold with the apparatus. When a cart is used, use caution when moving the cart/apparatus combination to avoid injury from tip-over.
13. UNPLUG this apparatus during lightning storms or when unused for long periods of time.
14. REFER all servicing to qualified service personnel. Servicing is required when the apparatus has been damaged in any way, such as power supply cord or plug is damaged, liquid has been spilled or objects have fallen into the apparatus, the apparatus has been exposed to rain or moisture, does not operate normally, or has been dropped.
15. DO NOT expose the apparatus to dripping and splashing. DO NOT put objects filled with liquids, such as vases, on the apparatus.
16. The MAINS plug or an appliance coupler shall remain readily operable.
17. The airborne noise of the Apparatus does not exceed 70dB (A).
18. Apparatus with CLASS I construction shall be connected to a MAINS socket outlet with a protective earthing connection.
19. To reduce the risk of fire or electric shock, do not expose this apparatus to rain or moisture.
20. Do not attempt to modify this product. Doing so could result in personal injury and/or product failure.
21. Operate this product within its specified operating temperature range.



This symbol indicates that dangerous voltage constituting a risk of electric shock is present within this unit.



This symbol indicates that there are important operating and maintenance instructions in the literature accompanying this unit.

WARNING: This product contains a chemical known to the State of California to cause cancer and birth defects or other reproductive harm.

General Description

The Shure Model UA844+ is an antenna distribution system that allows for the expansion of wireless microphone systems by splitting one pair of antennas to multiple receivers. It also amplifies RF signals to compensate for insertion loss that results from splitting signal power to multiple outputs. A single UA844+ system can support up to five wireless receivers. A maximum of five UA844+ systems may be used in a two-tiered configuration.

Model Variations

UA844+ Model Variations

UA844+V	174-216 MHz
UA844+SWB	470-960 MHz
UA844+Z16	1240-1260 MHz
UA844+Z17	1492-1525 MHz
UA844+Z18	1785-1805 MHz

Note: Some units include a power switch on the front panel to meet regional regulations.

System Components

- Front-mounting antenna hardware
- Rack-mounting hardware
- External power supply
- (2) 6 ft. BNC cables
- (4) Non-locking DC power cords (QLXD4, SLX4, BLX4R)
- (10) 22 in. BNC cables*
- (4) Locking DC power cords** (ULXD4)

*Model UA844+/LC substitutes (2) 22 in. BNC cables.

**Not included with Model UA844+/LC

Accessories

Optional Accessories

1/2 Wave Omnidirectional Receiver Antenna for improved wireless signal reception	UA8
In-Line RF Amplifier compensates for signal loss over extended cable runs	UA834
UA874 Active Directional Antenna for improved wireless signal reception with greater rejection of unwanted signals	UA874
1/2 Wave Antenna Remote Mount Kit	UA505
Antenna Rack Panel with Cables and BNC Adapters	UA440

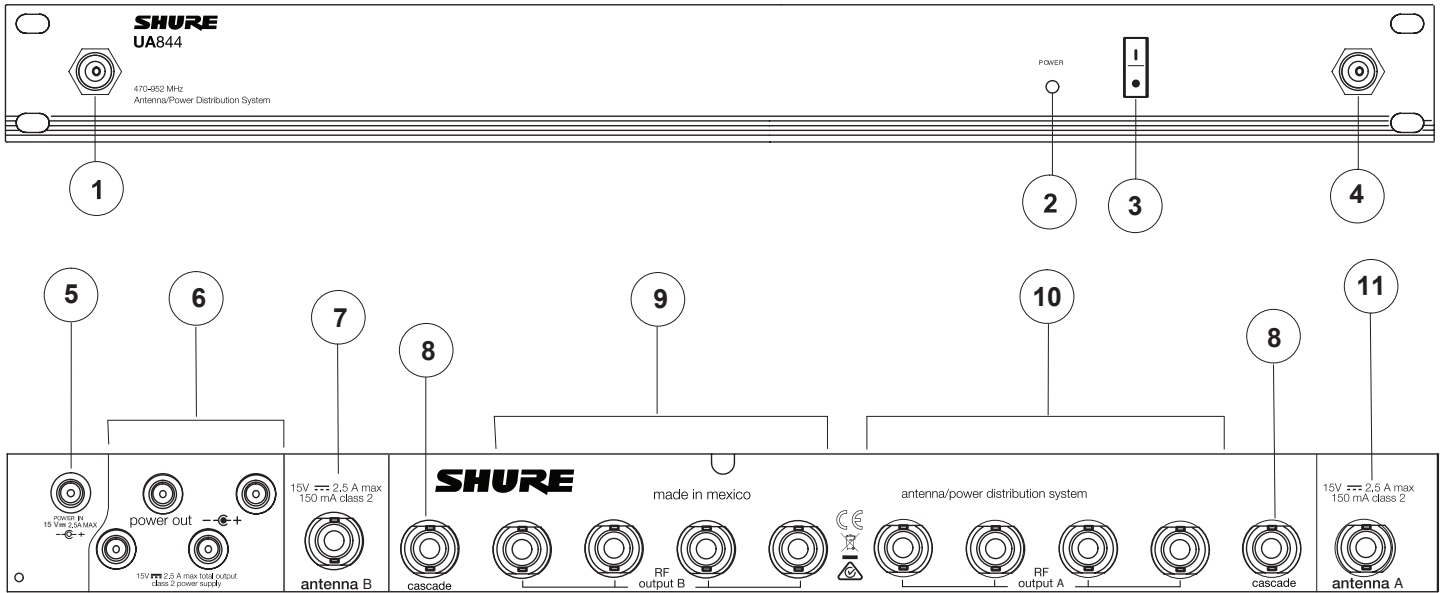
Note: Be sure to select antennas and accessories that are compatible with the operating frequency range of your wireless system. Contact Shure or your local retailer for help with selecting the right wireless accessories.

Selecting Antenna Cables

Use 50 ohm low-loss coaxial cable, such as RG-8U. Shure offers pre-terminated antenna cables ranging from 6 to 100 feet.

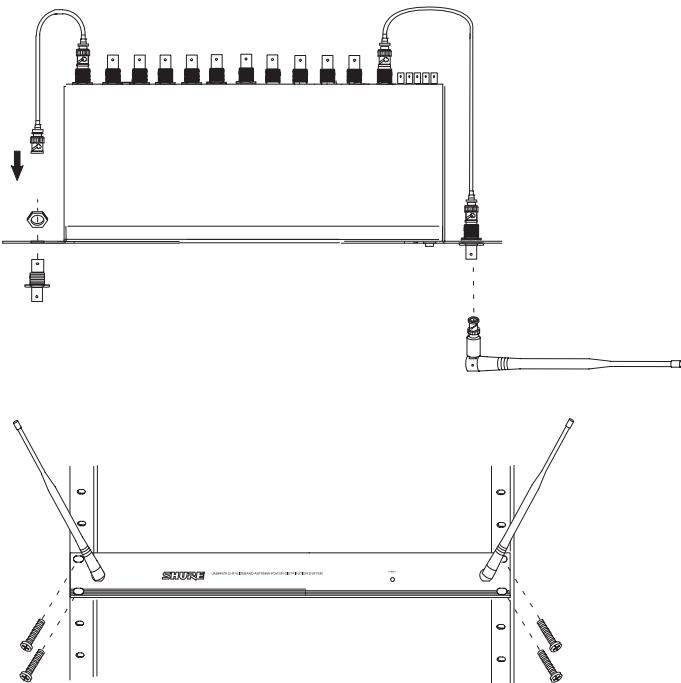
NOTE: When ordering cables from Shure, select the low-loss "Z" models (available for longer cables) when using frequency bands above 1000 MHz.

FRONT AND REAR PANELS

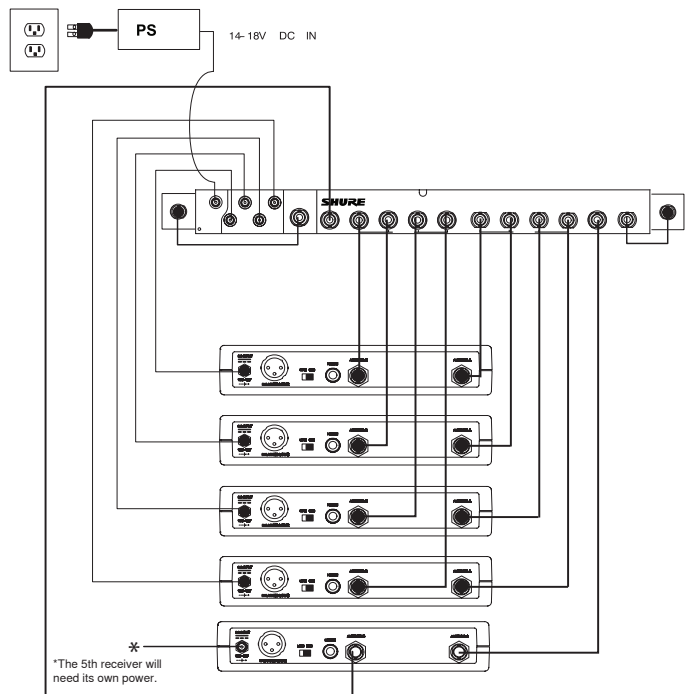


- ① Antenna A Connector
- ② Power Indicator
- ③ Power Switch(country dependent)
- ④ Antenna B Connector
- ⑤ 15 V dc (2.54 A) power input
- ⑥ Power Output for receivers. Do not connect to additional distribution systems
- ⑦ RF Input Antenna B
- ⑧ Cascade (2)
- ⑨ RF Output B
- ⑩ RF Output A
- ⑪ RF Input Antenna A

INSTALLATION

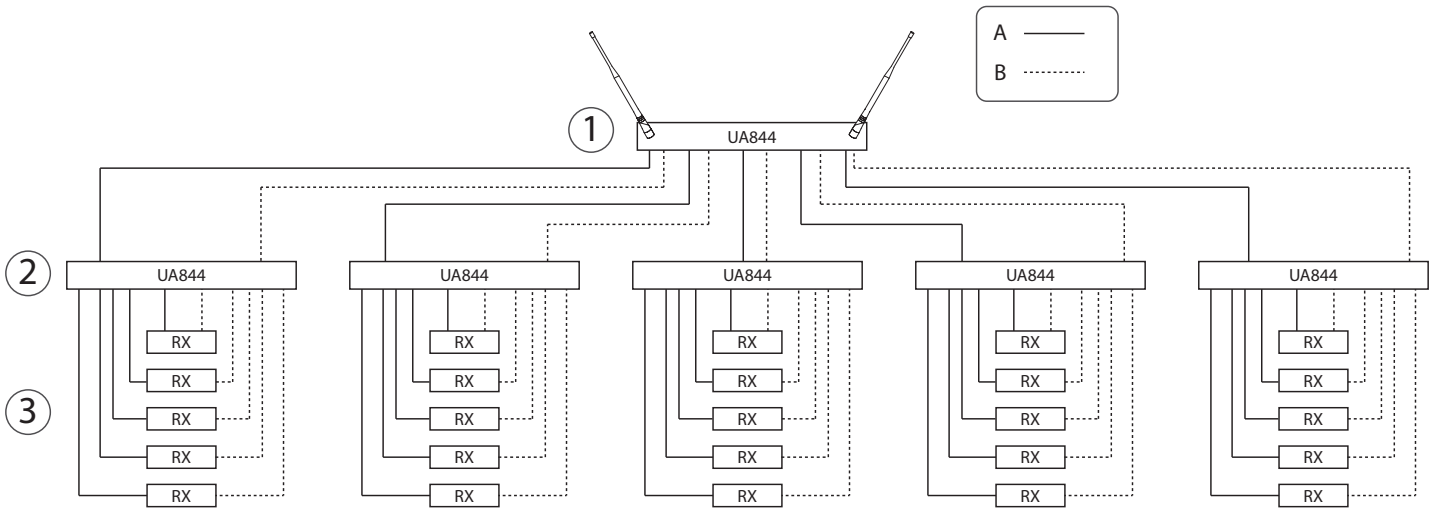


CABLE CONNECTIONS (ONE UA844)

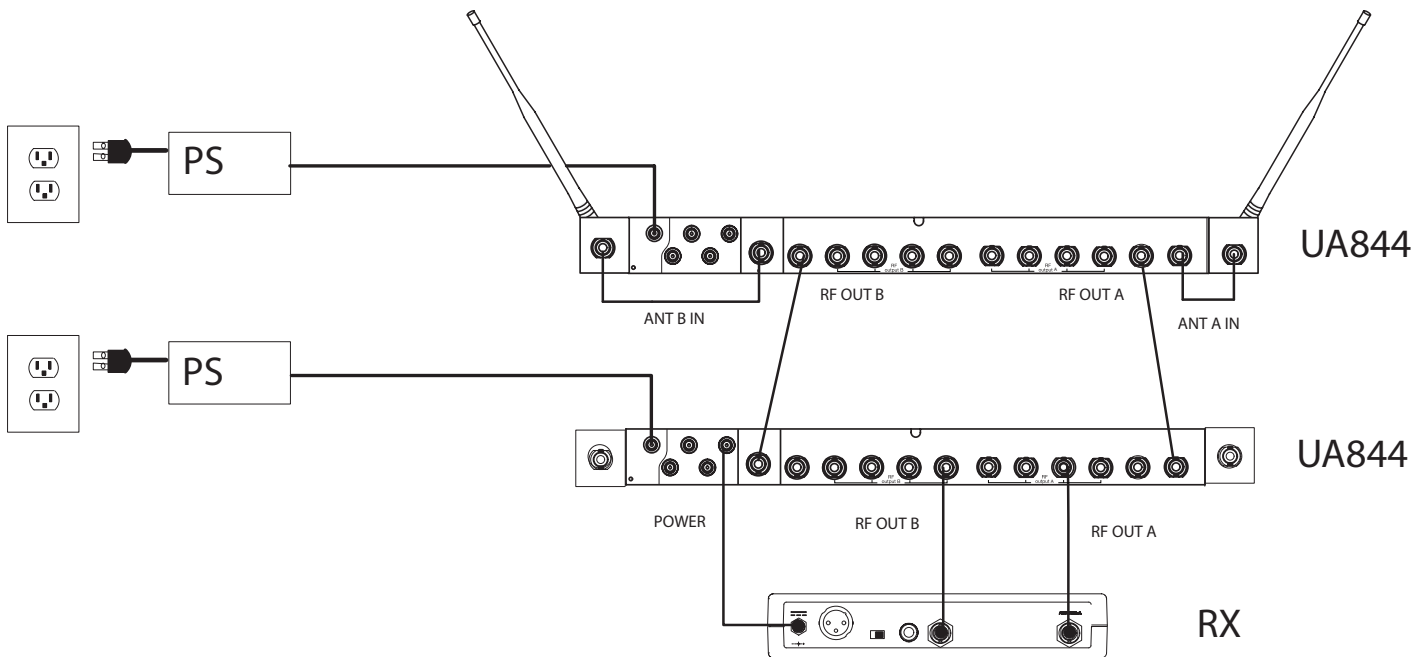


Connecting Multiple UA844 Systems

- ① Connect additional systems to the A/B ports of the top level UA844.
- ② Connect additional systems on the second level to the A and B antenna inputs.
- ③ Connect each receiver (RX) to the A/B output port pairs on the UA844.



Rear panel connections for each level of RF and power distribution



Specifications

Power Requirements

14 to 18 V DC

DC Output

14 to 18 V DC (x4)

Output Current

Combined total from all DC outputs

2.5 A, maximum

Operating Temperature Range

-18°C (0°F) to 63°C (145°F)

Dimensions

45 x 483 x 172 mm (H x W x D)

Net Weight

1.62 kg (3.6 lbs)

Connector Type

BNC

RF Frequency Range

model dependent

174 to 1805 MHz

Bias Voltage

15 V DC (150 mA, maximum) (x2)

Impedance

50 Ω

RF Frequency Range

model dependent

174 to 1805 MHz

Output Intercept Point

21 dBm, typical

Connector Type

BNC

Impedance

50 Ω

Output Connector Isolation

30 dB, typical

Gain

Input to any output port (Unused ports terminated in 50 Ω)

-1 to +1 dB

Certifications

The CE Declaration of Conformity can be obtained from Shure Incorporated or any of its European representatives. For contact information please visit www.shure.com

The CE Declaration of Conformity can be obtained from: www.shure.com/europe/compliance

Authorized European representative:
Shure Europe GmbH
Headquarters Europe, Middle East & Africa
Department: EMEA Approval
Jakob-Dieffenbacher-Str. 12
75031 Eppingen, Germany
Phone: 49-7262-92 49 0
Fax: 49-7262-92 49 11 4
Email: info@shure.de

Important Product Information

LICENSING INFORMATION

Licensing: A ministerial license to operate this equipment may be required in certain areas. Consult your national authority for possible requirements. Changes or modifications not expressly approved by Shure Incorporated could void your authority to operate the equipment. Licensing of Shure wireless microphone equipment is the user's responsibility, and licensability depends on the user's classification and application, and on the selected frequency. Shure strongly urges the user to contact the appropriate telecommunications authority concerning proper licensing, and before choosing and ordering frequencies.

NOTE: This Radio equipment is intended for use in musical professional entertainment and similar applications. This Radio apparatus may be capable of operating on some frequencies not authorized in your region. Please contact your national authority to obtain information on authorized frequencies and RF power levels for wireless microphone products.

SHURE[®]

LEGENDARY
PERFORMANCE™

**United States, Canada, Latin
America, Caribbean:**
Shure Incorporated
5800 West Touhy Avenue
Niles, IL 60714-4608 USA

Phone: 847-600-2000
Fax: 847-600-1212 (USA)
Fax: 847-600-6446
Email: info@shure.com

Europe, Middle East, Africa:
Shure Europe GmbH
Jakob-Dieffenbacher-Str. 12,
75031 Eppingen, Germany

Phone: 49-7262-92490
Fax: 49-7262-9249114
Email: info@shure.de

Asia, Pacific:
Shure Asia Limited
22/F, 625 King's Road
North Point, Island East
Hong Kong

Phone: 852-2893-4290
Fax: 852-2893-4055
Email: info@shure.com.hk

PT. GOSHEN SWARA INDONESIA
Kompleks Harco Mangga Dua Blok L No. 35 Jakarta Pusat

1.16.GSI31.00501.0211